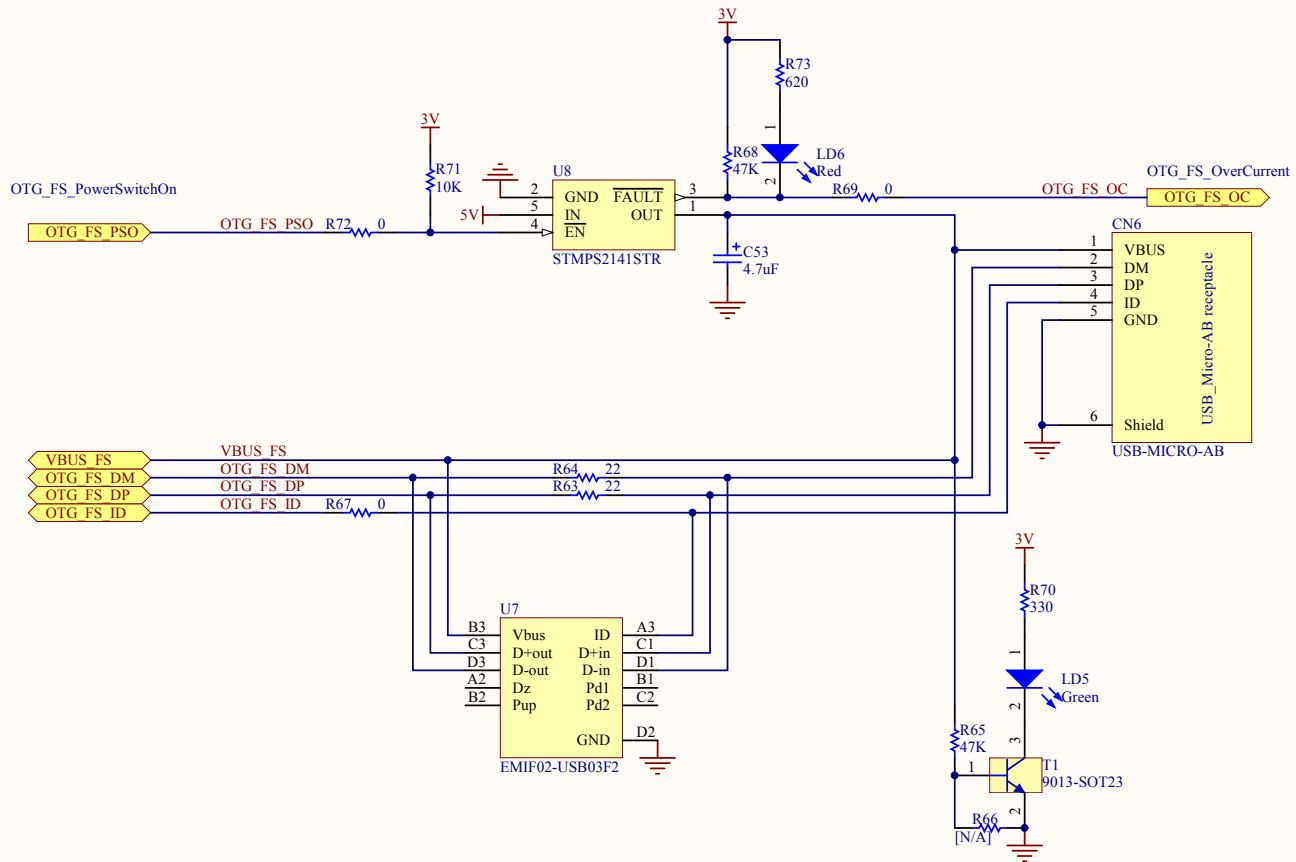


Rev A.0 -> PCB label MB1075 A-00
 Rev B.1 -> PCB label MB1075 B-01,
 PA8 - I2C3_SCL, PC9 - I2C3_SDA, PG7 - DOTCLK, YU<->YD

STMicroelectronics

Title: **STM32F429I-DISCO**

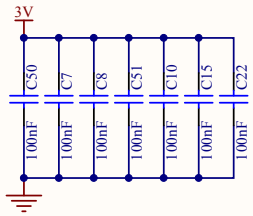
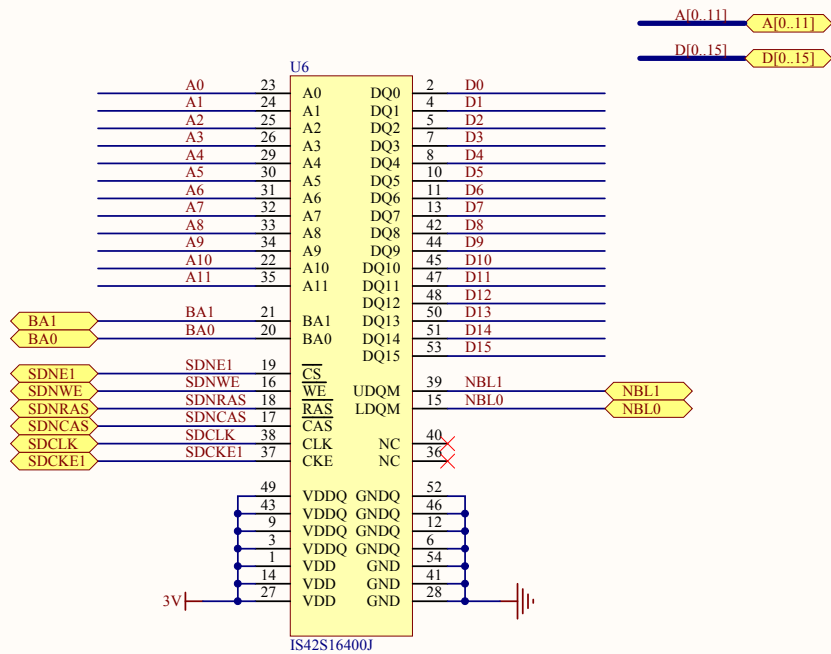
Number **MB1075** Rev: B.1(PCB.SCH) Date: 8/13/2013 Sheet **1** of **7**



STMicroelectronics

Title: **STM32F429I-DISCO USB_OTG_FS**

Number **MB1075** Rev. B.1(PCB.SCH) Date: 8/13/2013 Sheet 3 of 7

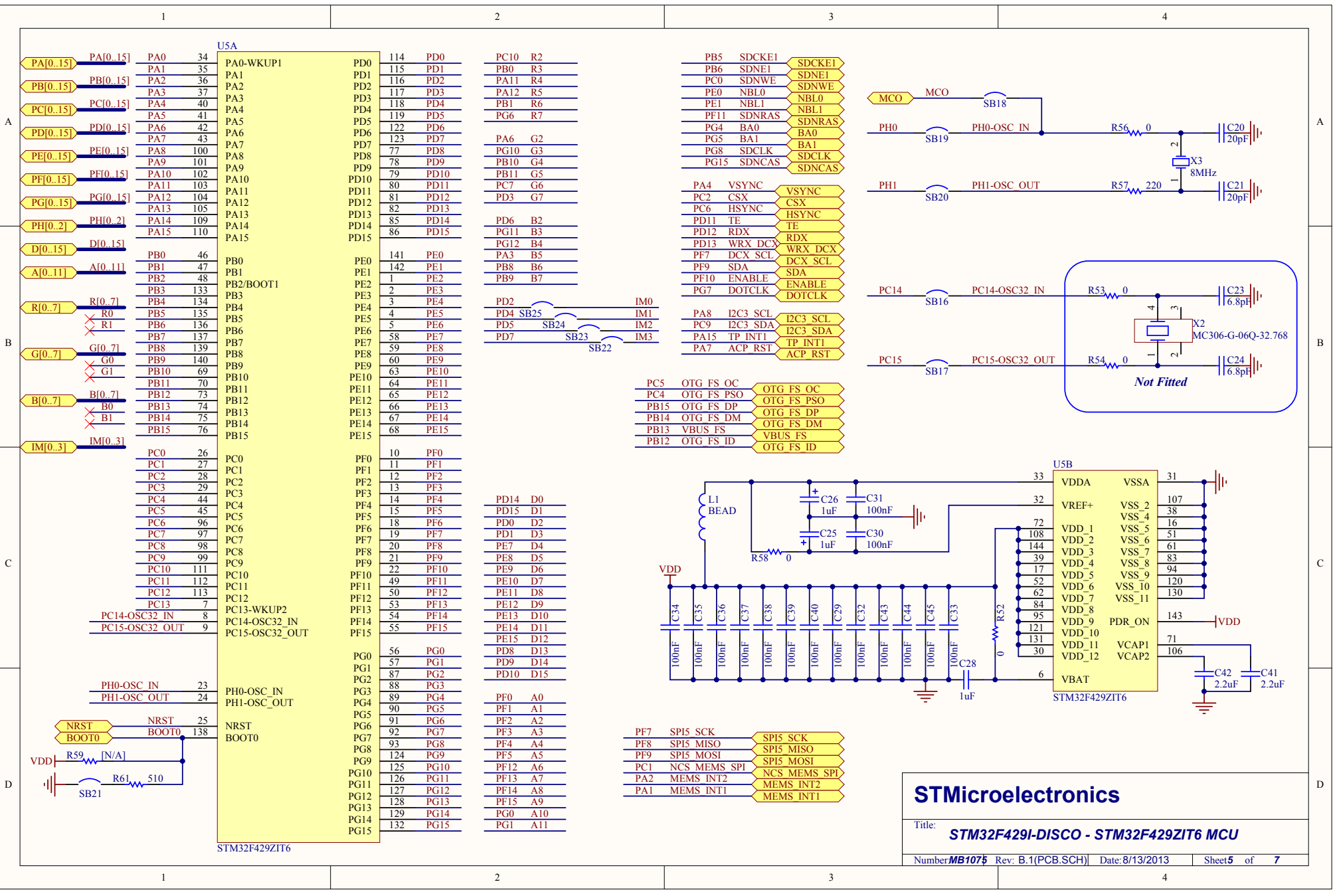


Place close SDRAM

STMicroelectronics

Title: **STM32F429I-DISCO SDRAM 64Mbits**

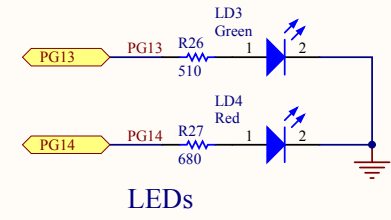
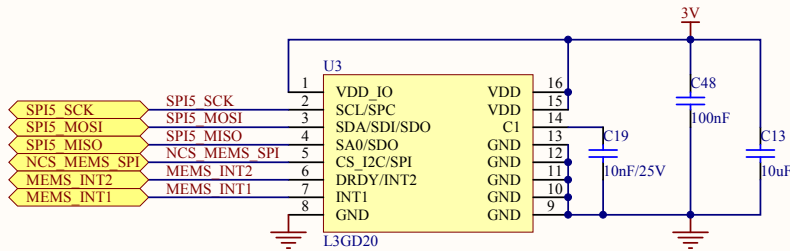
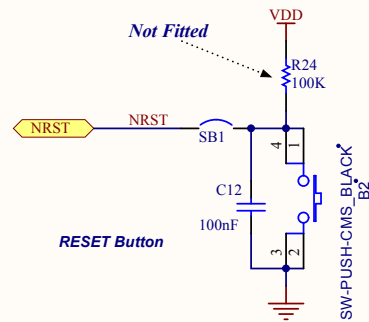
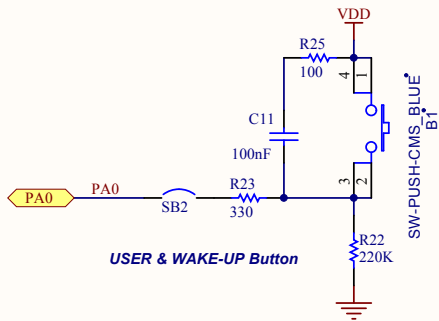
Number **MB1075** Rev: B.1(PCB.SCH) Date: 8/13/2013 Sheet4 of 7



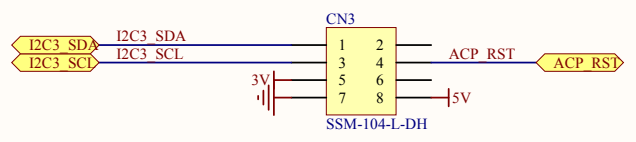
STMicroelectronics

Title: **STM32F429I-DISCO - STM32F429ZIT6 MCU**

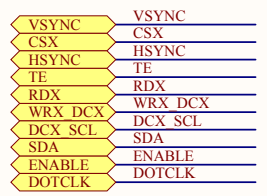
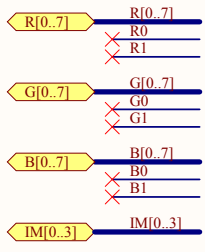
Number **MB1075** Rev: B.1(PCB.SCH) | Date: 8/13/2013 | Sheet **5** of **7**



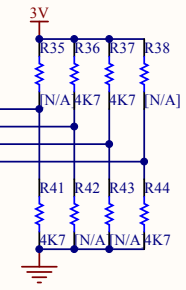
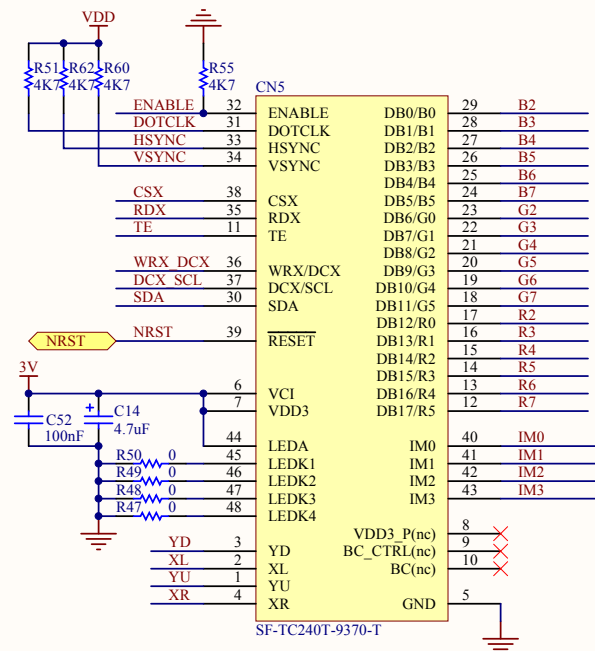
ACP/RF E2P Connector



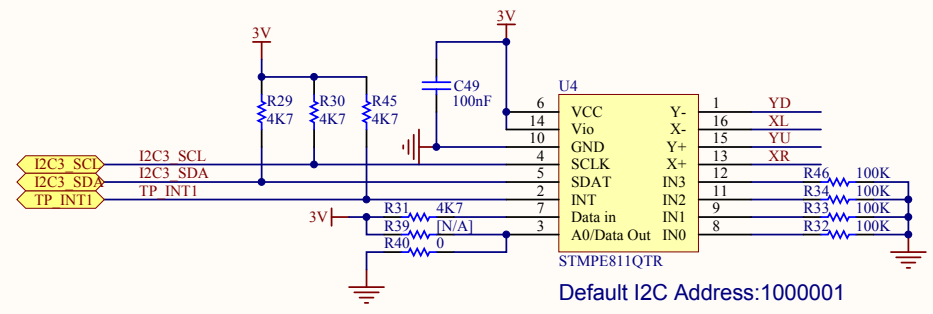
STMicroelectronics			
Title: STM32F429I-DISCO Peripherals			
Number MB1075	Rev: B.1(PCB.SCH)	Date: 8/13/2013	Sheet 6 of 7



SPI5_SCK
SPI5_MOSI



IM[0..3] = 0110 --> 4-wire 8-bit serial I, SDA:In/Out



STMicroelectronics

Title: **STM32F429I-DISCO LCD 2.4"**

Number **MB1075** Rev: B.1(PCB.SCH) Date: 8/13/2013 Sheet 7 of 7